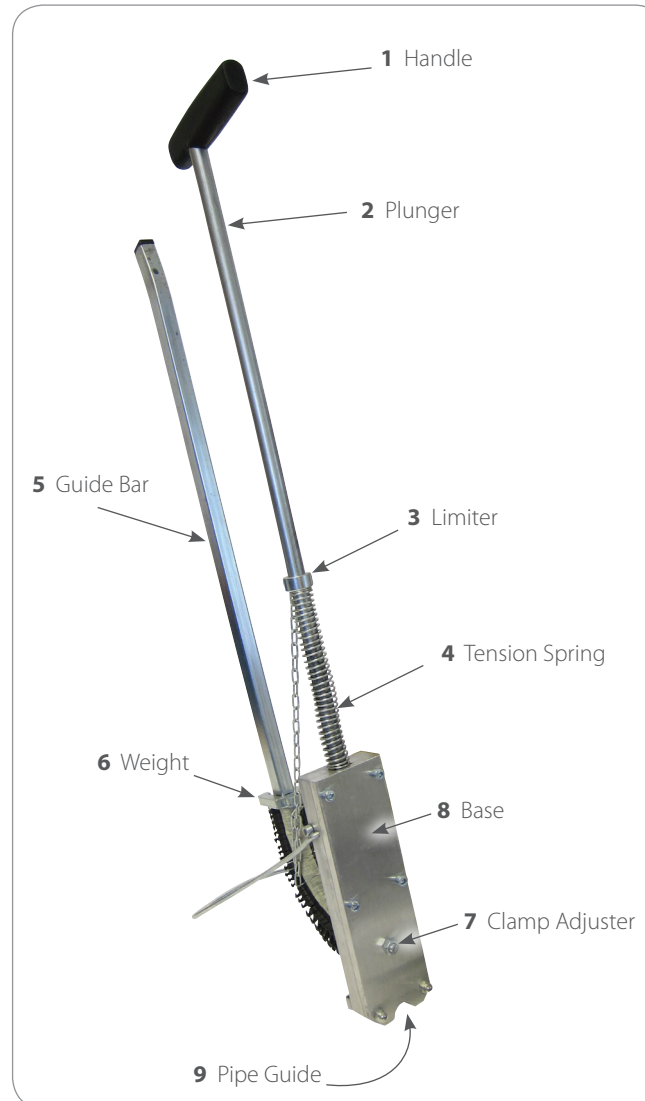


Staple Gun

Operating instructions.

- 1 Remove weight from guide bar.
- 2 Place a minimum of one complete strip of staples onto the guide bar (5) so that the end of the staples are directed downwards. The staples should be regularly topped up to keep sufficient amounts on the bar.
- 3 Place the weight (6) onto the guide bar (5) above/behind the staples.
- 4 The clamp adjuster (7) may need screwing either in or out dependent on size of staples used. A properly adjusted clamp prevents jamming and ensures correct operation.
- 5 Adjust the spring tension (4) with the limiter (3).
- 6 Place the base of the staple gun (8) over the pipe ensuring that the pipe is in the pipe guide (9) and in contact with the pipe.
- 7 Holding the handle (1) drive in the staples one at a time by applying downward force to the plunger (2).
- 8 Do not attempt to drive in more than one staple at a time as this will result in the gun jamming. Periodic cleaning of the clamp to remove excess glue and tape is required to ensure continued smooth operation.
- 9 Exercise caution whilst operating the staple gun, do not place the base of the gun on to any part of the human body or place fingers into any part of the staple gun, between spring coils or housing etc. Failure to follow these guides may lead to injury.
- 10 Replacement staples can be ordered direct from Wunda Group. www.wundatrade.co.uk



Your Notes:

2

Tech support opening hours - please visit our website for the latest information