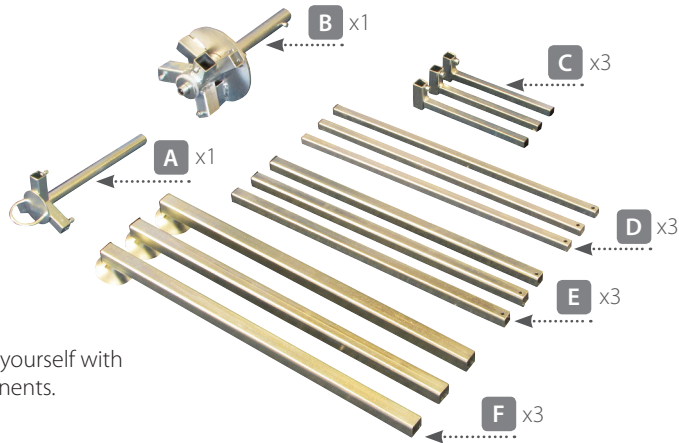


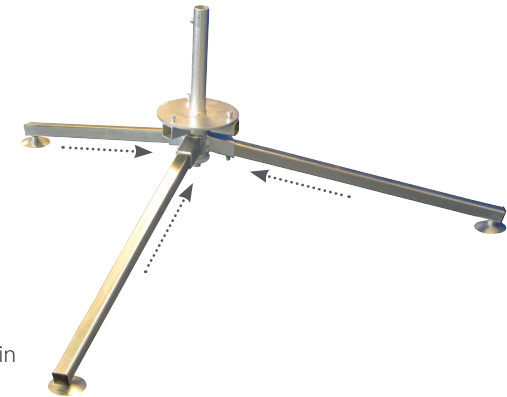
Step 1



Check and familiarise yourself with the individual components.

Step 2

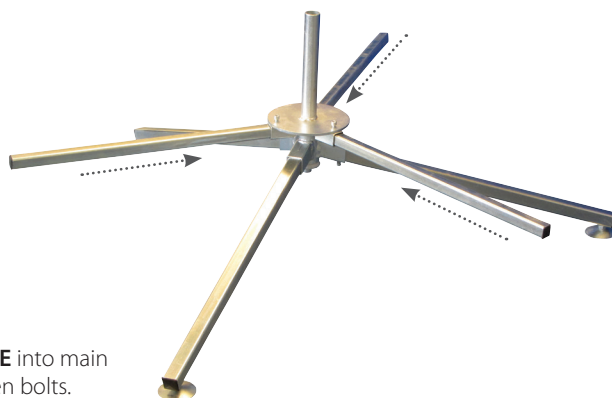
- B** x1
- F** x3



Insert decoiler legs **F** into main body **B** and tighten bolts.

Step 3

- E** x3



Insert lower arms **E** into main body **B** and tighten bolts.

Step 4

- A** x1



Insert top arm carrier **A** into main body **B**, do not tighten height adjustment bolt at this stage.

Step 5

D x3



Insert top arms **D** into top arm carrier **A** and tighten bolts.

Step 6

C x3



Slide arm stops **C** over top arms **D** move towards centre and tighten bolts.

Step 7



Top arm carrier **A** and top arms **D** can now be removed as one section. Pipe is installed centrally over main body **B** and sat onto lower arms **E**. Replace top arm carrier **A** and top arms **D**, the height adjustment bolt on main body **B** can now be tightened and top arm stops **C** adjusted to suit size of pipe coil. Ensure bolts are tightened and secure.